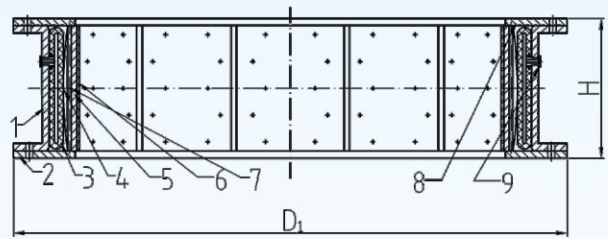
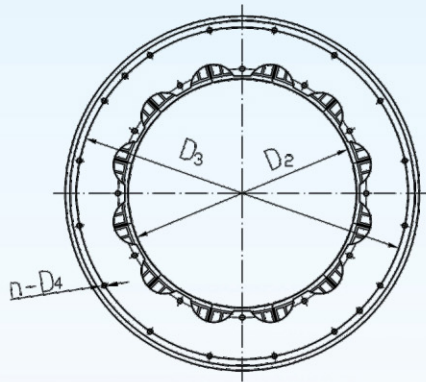


12

通风型气胎离合器 Ventilated Pneumatic Clutch



- | | |
|---------|-----------------------|
| 1-钢圈 | 1-steel ring |
| 2-联接盘 | 2-coupling flange |
| 3-气胎 | 3-pneumatic air tube |
| 4-弹簧片 | 4-release spring |
| 5-闸瓦 | 5-slipper |
| 6-弹簧片 | 6-friction lining |
| 7-扭力杆 | 7-torsion bar |
| 8-侧板 | 8-side panel |
| 9-气嘴固定圈 | 9-air cock fixed ring |

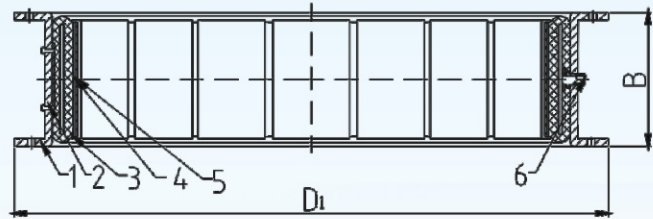
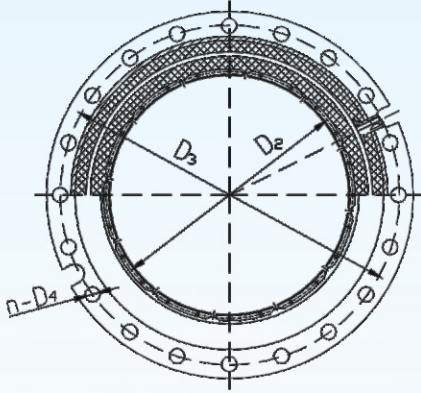
技术参数 Technical Parameter

型号 Model	转速r/min Rotate speed		扭矩N.m Torque		工作压力 Mpa Working pressure	气胎容积L Pneumatic volumetric	摩擦轮直径 D2 mm Friction wheel diameter	联接尺寸 mm Connection size					进气管螺纹 Inlet pipe thread
	极限 Limited	额定 Rated	极限 Limited	额定 Rated				轮缘直径 D1 mm Rim diameter	轮缘宽度 H mm Rim width	定位直径 D3 mm Location diameter	螺孔数量 及直径 n-d mm Screw hole quantity and diameter	螺栓孔 分布直径 D4 mm Bolt distribute diameter	
LT500/200	1312-1578	758-912	17110-24970	11406-16646	0.7-1.0	3*2	496	780	234	Φ300H8	10-Φ18H10	360	G1/2"
LT500/250	1586-1701	916-983	23390-26900	15590-17930	0.7-0.8	3*5	496	750	288	Φ750F9	12-Φ18H10	720	M20*1.5
LT600/250	1281-1544	740-892	32200-46710	21466-31140	0.7-1.0	4*2	596	890	284	Φ340H8	12-Φ23H10	420	G1/2"
LT700/250	1181-1344	660-793	48200-69910	32100-47300	0.7-1.0	4.2*2	696	1010	292	Φ1000F9	16-Φ22H10	965	G1/2"
DY700/135	1569-1890	907-1092	24560-35360	16170-23750	0.7-1.0	4	696	935	200	Φ935H10	20-Φ18H10	735	M20*1.5
LT800/250	1016-1224	587-707	54240-78660	36160-52440	0.7-1.0	4.66*2	796	1115	300	Φ1105F9	16-Φ22H10	1070	G1/2"
LT900/250	903-1087	522-628	68000-98930	45467-65953	0.7-1.0	3*2	897	1230	292	Φ1220H9	16-Φ22H10	1184	G1/2"
LT1070/200	932-1123	539-668	84600-122670	56400-81790	0.7-1.0	3.0	1065	1400	260	Φ1400H11	16-Φ27H10	1350	M33*1.5
LT1170/250	765-820	442-474	117740-134130	78490-89420	0.7-0.8	5.7	1166	1500	302	Φ1500H10	12-Φ27H10	1445	M33*1.5
LT1120/300	---	---	184500-263250	123000-175500	0.7-1.0	3.96*2	1116	1450	357	Φ840H8	20-Φ23H10	890	G1/2"
LT1250/300	---	---	229500-327000	153000-218000	0.7-1.0	4.4*2	1246	1580	357	Φ1050H8	16-Φ25H10	1110	G1/2"
LT965 × 305	782-957	452-563	99680-142800	78145-96755	0.7-0.9	6.0	965	1264	358	Φ1254H10	20-Φ21H8	1215	ZG3/4"
LT1168 × 305	739-890	435-524	108390-147700	88332-99700	0.7-0.9	11	1168	1540	360	Φ1530H10	24-Φ22H8	1486	ZG3/4"

13

普通型气胎离合器 Common Pneumatic Clutch

- | | |
|------------|------------------------------------|
| 1-钢圈 | 1-steel ring |
| 2-连接板固定螺钉 | 2-fixing screw on connection board |
| 3-普通型离合器气囊 | 3-air tube of common type clutch |
| 4-钢片 | 4-billet steel |
| 5-摩擦片 | 5-friction lining |
| 6-气嘴固定圈 | 6-air cock fixed ring |



技术参数 Technical Parameter

型号 Model	转速r/min Rotate speed		扭矩N.m Torque		工作压力 Mpa Working pressure	气胎容积L Pneumatic volumetric	摩擦轮直径 D2 mm Friction wheel diameter	联接尺寸 mm Connection size					进气管螺纹 Inlet pipe thread
	极限 Limited	额定 Rated	极限 Limited	额定 Rated				轮缘直径 D1 mm Rim diameter	轮缘宽度 H mm Rim width	定位直径 D3 mm Location diameter	螺孔数量 及直径 n-d mm Screw hole quantity and diameter	螺栓孔 分布直径 D4 mm Bolt distribute diameter	
LT300/100	2332-2667	1348-1542	3080-4030	2025-2686	0.7-0.8	1.3	296	450	115	450H11	12-Φ13H12	430	M20 1.5
LT400/125	1980-1765	986-1142	7061-10030	6521-8430	0.6-1.0	2	400	600	168	---	---	576	M20 × 1.5
LT500/125	1642-1877	949-1085	10455-13670	6790-9114	0.7-0.8	5.5	497	720	154	720H11	12-Φ17H12	690	M20 × 1.5
LT600/125	1652-1547	781-894	14810-19360	9875-12908	0.7-0.9	5.5	597	820	154	820H11	16-Φ17H12	790	M20 × 1.5
LT700/200	1315-1504	760-869	33080-43270	22060-28850	0.7-0.9	14	695	1000	246	1000H11	12-Φ26H12	950	M33 × 1.5
CBC700/135	1198-1450	687-881	22350-32660	14900-21775	0.7-1.0	3.7	696	900	176	900H11	20-Φ17H12	870	M20 × 1.5
LT800/135	1099-1328	635-768	28850-42160	19230-28080	0.7-1.0	4	796	1015	176	1015H11	24-Φ17H12	975	M20 × 1.5