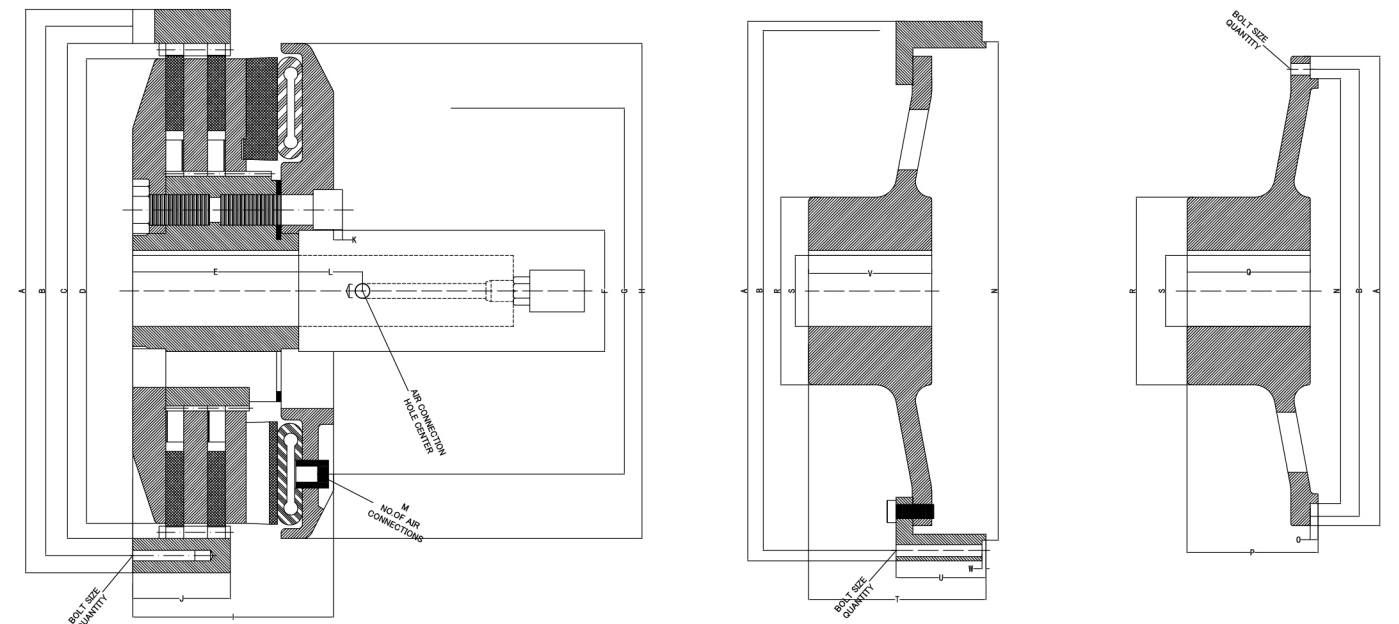
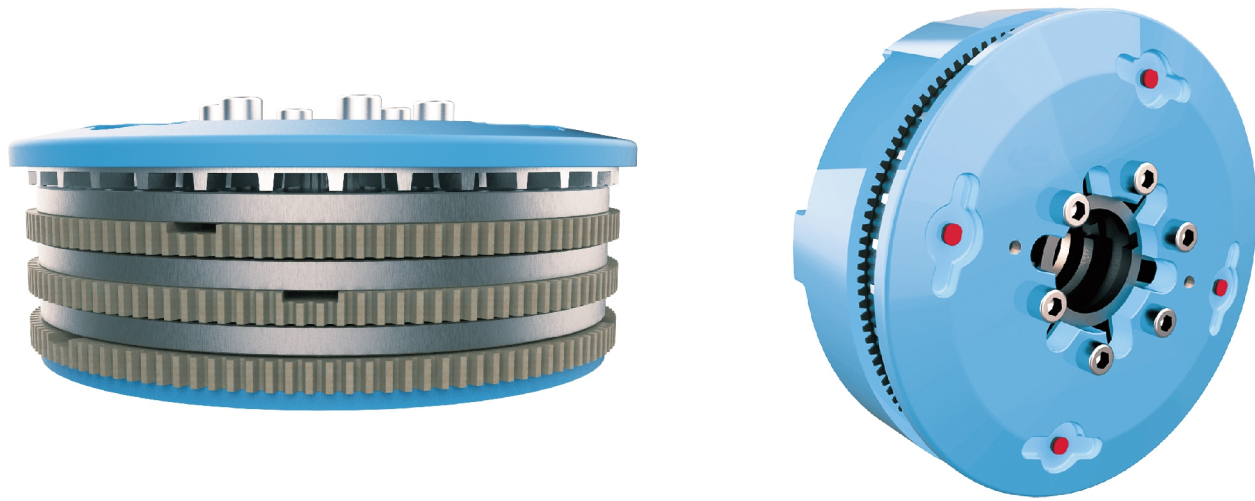


Power Grip Clutch



Dimensions Data

SIZE	A	B	BOLT SIZE	QTY	C		D	E	F	G	H	I	J	K	L	M	M QTY	N		O	P	Q	R	S Min*	S Max*	T	U	W	V	SIZE	
					+ .003 / - .000	(+ .076 / - .000)												+ .000 / - .003	(+ .000 / - .076)												
108	103/8(263.53)	9.625(244.48)	1/2-13	6	8.872(225.35)	8(203.21)	23/4(69.85)	161/64(49.53)	65/8(168.28)	95/8(244.48)	37/8(98.43)	13/8(34.96)	9/32(7.14)	21/4(57.15)	2	8.872(225.35)	1/8(3.18)	31/8(79.38)	3(76.20)	33/4(95.25)	15/16(23.81)	25/8(66.68)	-	-	-	-	-	-	-	108	
208	103/8(263.53)	9.625(244.48)	1/2-13	6	8.872(225.35)	8(203.21)	41/8(104.75)	161/64(49.53)	65/8(168.28)	95/8(244.48)	51/4(133.35)	23/4(69.85)	9/32(7.14)	21/4(57.15)	2	8.872(225.35)	1/8(3.18)	31/8(79.38)	3(76.20)	33/4(95.25)	15/16(23.81)	25/8(66.68)	-	-	-	-	-	-	-	208	
308	103/8(263.53)	9.625(244.48)	1/2-13	6	8.872(225.35)	8(203.21)	52/1(139.70)	161/64(49.53)	65/8(168.28)	95/8(244.48)	65/8(168.28)	41/8(104.78)	9/32(7.14)	21/4(57.15)	2	8.872(225.35)	1/8(3.18)	31/8(79.38)	3(76.20)	33/4(95.25)	15/16(23.81)	25/8(66.68)	-	-	-	-	-	-	-	308	
111	143/8(365.13)	133/8(339.73)	5/8-11	8	12.375(314.33)	11(279.4)	3(76.20)	31/64(76.60)	81/2(215.90)	1115/16(303.21)	41/8(104.78)	11/2(38.10)	7/16(11.11)	21/2(63.50)	2	12.374(314.30)	1/8(3.18)	35/8(92.08)	31/4(82.55)	61/4(158.75)	13/8(34.93)	47/16(111.13)	-	-	-	-	-	-	-	111	
211	143/8(365.13)	133/8(339.73)	5/8-11	8	12.375(314.33)	11(279.4)	41/4(107.95)	31/64(76.60)	81/2(215.90)	1115/16(303.21)	53/8(136.53)	27/8(73.03)	7/16(11.11)	21/2(63.50)	2	12.374(314.30)	1/8(3.18)	35/8(92.08)	31/4(82.55)	61/4(158.75)	13/8(34.93)	47/16(111.13)	-	-	-	-	-	-	-	211	
311	143/8(365.13)	133/8(339.73)	5/8-11	8	12.375(314.33)	11(279.4)	59/16(141.29)	31/64(76.60)	81/2(215.90)	1115/16(303.21)	611/16(169.86)	43/16(106.36)	7/16(11.11)	21/2(63.50)	2	12.374(314.30)	1/8(3.18)	35/8(92.08)	31/4(82.55)	61/4(158.75)	13/8(34.93)	47/16(111.13)	-	-	-	-	-	-	-	311	
114	171/2(444.5)	161/4(412.75)	5/8-11	6	15.125(384.18)	14(355.6)	45/16(109.54)	41/2(114.30)	103/4(273.05)	143/8(365.13)	51/8(130.18)	17/8(47.63)	11/32(8.73)	21/4(57.15)	2	15.124(384.15)	1/4(6.35)	53/8(136.53)	43/4(120.65)	7(177.80)	15/8(41.28)	47/8(123.83)	51/2(139.70)	33/8(85.73)	1/8(3.18)	31/4(82.55)	214	-	-	-	214
214H	171/2(444.5)	161/4(412.75)	5/8-11	6	15.125(384.18)	14(355.6)	53/4(146.05)	41/2(114.30)	103/4(273.05)	143/8(365.13)	69/16(166.69)	31/4(82.55)	11/32(8.73)	21/4(57.15)	2	15.124(384.15)	1/4(6.35)	53/8(136.53)	43/4(120.65)	7(177.80)	15/8(41.28)	47/8(123.83)	51/2(139.70)	33/8(85.73)	1/8(3.18)	31/4(82.55)	314	-	-	-	314H
314H	171/2(444.5)	161/4(412.75)	5/8-11	6	15.125(384.18)	14(355.6)	73/16(182.56)	41/2(114.30)	103/4(273.05)	143/8(365.13)	8(203.20)	43/4(120.65)	11/32(8.73)	21/4(57.15)	2	15.124(384.15)	1/4(6.35)	53/8(136.53)	43/4(120.65)	7(177.80)	15/8(41.28)	47/8(123.83)	51/2(139.70)	33/8(85.73)	1/8(3.18)	31/4(82.55)	214H	-	-	-	314H
116	20(508)	183/4(476.25)	5/8-11	6	17.500(444.5)	16(406.4)	45/16(109.54)	47/8(123.83)	121/2(317.50)	1619/64(413.94)	53/16(131.76)	17/8(47.63)	3/4(19.05)	21/4(57.15)	2	17.499(444.48)	1/4(6.35)	61/8(155.58)	51/2(139.70)	7(177.80)	17/8(47.63)	47/8(123.83)	79/16(192.09)	311/16(93.66)	1/8(3.18)	51/2(139.70)	116	-	-	-	116
216	20(508)	183/4(476.25)	5/8-11	6	17.500(444.5)	16(406.4)	53/4(146.05)	47/8(123.83)	121/2(317.50)	1619/64(413.94)	69/16(166.69)	31/4(82.55)	3/4(19.05)	21/4(57.15)	2	17.499(444.48)	1/4(6.35)	61/8(155.58)	51/2(139.70)	7(177.80)	17/8(47.63)	47/8(123.83)	79/16(192.09)	311/16(93.66)	1/8(3.18)	51/2(139.70)	216	-	-	-	216
316	20(508)	183/4(476.25)	5/8-11	6	17.500(444.5)	16(406.4)	71/4(184.15)	47/8(123.83)	121/2(317.50)	1619/64(413.94)	8(203.20)	43/4(120.65)	3/4(19.05)	21/4(57.15)	2	17.499(444.48)	1/4(6.35)	61/8(155.58)	51/2(139.70)	7(177.80)	17/8(47.63)	47/8(123.83)	79/16(192.09)	311/16(93.66)	1/8(3.18)	51/2(139.70)	316	-	-	-	316
118	22(558.8)	203/4(527.05)	5/8-11	6	19.500(495.3)	18(457.2)	43/4(120.65)	51/4(133.35)	143/16(360.36)	193/8(492.13)	511/16(144.46)	115/16(49.21)	3/8(9.53)	27/16(61.91)	3	19.499(495.28)	3/8(9.53)	67/8(174.63)	53/4(146.05)	8(203.20)	21/4(57.15)	55/8(142.88)	8(203.20)	41/2(114.30)	1/4(6.35)	6(152.40)	118	-	-	-	118
218	22(558.8)	203/4(527.05)	5/8-11	6	19.500(495.3)	18(457.2)	61/4(158.75)	51/4(133.35)	143/16(360.36)	193/8(492.13)	71/4(184.15)	31/2(88.90)	3/8(9.53)	27/16(61.91)	3	19.499(495.28)	3/8(9.53)	67/8(174.63)	53/4(146.05)	8(203.20)	21/4(57.15)	55/8(142.88)	8(203.20)	41/2(114.30)	1/4(6.35)	6(152.40)	218	-	-	-	218
318	22(558.8)	203/4(527.05)	5/8-11	6	19.500(495.3)	18(457.2)	73/4(196.85)	51/4(133.35)	143/16(360.36)	193/8(492.13)	87/8(225.43)	51/8(130.18)	3/8(9.53)	27/16(61.91)	3	19.499(495.28)	3/8(9.53)	67/8(174.63)	53/4(146.05)	8(203.20)	21/4(57.15)	55/8(142.88)	8(203.20)	41/2(114.30)	1/4(6.35)	6(152.40)	318	-	-	-	318
118H	22(558.8)	203/4(527.05)	5/8-11	6	19.500(495.3)	18(457.2)	43/4(120.65)	51/4(133.35)	16(406.4)	215/16(541.34)	511/16(144.46)	115/16(49.21)	1(25.40)	27/16(61.91)	3	19.499(495.28)	3/8(9.53)	67/8(174.63)	53/4(146.05)	8(203.20)	21/4(57.15)	55/8(142.88)	8(203.20)	41/2(114.30)	1/4(6.35)	6(152.40)	118H	-	-	-	118H
218H	22(558.8)	203/4(527.05)	5/8-11	6	19.500(495.3)	18(457.2)	61/4(158.75)	51/4(133.35)	16(406.4)	215/16(541.34)	71/4(184.15)	31/2(88.90)	1(25.40)	27/16(61.91)	3	19.499(495.28)	3/8(9.53)	67/8(174.63)	53/4(146.05)	8(203.20)	21/4(57.15)	55/8(142.88)	8(203.20)	41/2(114.30)	1/4(6.35)	6(152.40)	218H	-	-	-	218H
318H	22(558.8)	203/4(527.05)	5/8-11	6	19.500(495.3)	18(457.2)	73/4(196.85)	51/4(133.35)	16(406.4)	215/16(541.34)	83/4(222.25)	51/8(130.18)	1(25.40)	27/16(61.91)	3	19.499(495.28)	3/8(9.53)	67/8(174.63)	53/4(146.05)	8(203.20)	21/4(57.15)	55/8(142.88)	8(203.20)	41/2(114.30)	1/4(6.35)	6(152.40)	318H	-	-	-	318H
121	25(635)	233/4(603.25)	5/8-11	6	22.500(571.5)	21(533.4)	57/8(149.23)	7(177.80)	16(406.4)	215/16(541.34)	69/16(166.69)	21/2(63.50)	1(25.40)	23/8(60.33)	3	22.499(571.48)	1/4(6.35)	63/4(171.45)	6(152.40)	91/2(241.30)	21/2(63.50)	65/8(168.28)	101/2(266.70)	61/2(165.10)	1/4(6.35)	6(152.40)	121	-	-	-	121
221	25(635)	233/4(603.25)	5/8-11	6	22.500(571.5)	21(533.4)	71/4(184.15)	7(177.80)	16(406.4)	215/16(541.34)	83/8(212.73)	43/8(111.13)	1(25.40)	23/8(60.33)	3	22.499(571.48)	1/4(6.35)	63/4(171.45)	6(152.40)	91/2(241.30)	21/2(63.50)	65/8(168.28)	101/2(266.70)	61/2(165.10)	1/4(6.35)	6(152.40)	221	-	-	-	221
321	25(635)	233/4(603.25)	5/8-11	6	22.500(571.5)	21(533.4)	85/8(219.08)	7(177.80)	16(406.4)	215/16(541.34)	101/8(257.18)	61/4(158.75)	1(25.40)	23/8(60.33)	3	22.499(571.48)	1/4(6.35)	63/4(171.45)	6(152.40)	91/2(241.30)	21/2(63.50)	65/8(168.28)	101/2(266.70)	61/2(165.10)	1/4(6.35)	6(152.40)	321	-	-	-	321
124H	28(711.2)	263/4(679.45)	5/8-11	6	25.500(647.7)	24(609.6)	57/8(149.23)	7(177.80)	21(533.40)	27(685.80)	63/4(171.45)	213/16(71.44)	1(25.40)	23/4(69.85)	3	25.498(647.65)	-	-	-	10(254.00)	3(76.20)	7(177.80)	111/8(282.58)	55/8(142.88)	1/8(3.18)	75/16(185.74)	124H	-	-	-	124H
224H	28(711.2)	263/4(679.45)	5/8-11	6	25.500(647.7)	24(609.6)	71/4(184.15)	7(177.80)	21(533.40)	27(685.80)	81/2(215.90)	41/2(114.30)	1(25.40)	23/4(69.85)	3	25.498(647.65)	-	-	-	10(254.00)	3(76.20)	7(177.80)	111/8(282.58)	55/8(142.88)	1/8(3.18)	75/16(185.74)	224H	-	-	-	224H
324H	28(711.2)	263/4(679.45)	5/8-11	6	25.500(647.7)	24(609.6)	93/8(238.13)	7(177.80)	21(533.40)	27(685.80)	101/2(266.70)	61/4(158.75)	1(25.40)	23/4(69.85)	3	25.498(647.65)	-	-	-	10(254.00)	3(76.20)	7(177.80)	111/8(282.58)	55/8(142.88)	1/8(3.18)	75/16(185.74)	324H	-	-	-	324H
124D	28(711.2)	263/4(679.45)	5/8-11	6	25.500(647.7)	24(609.6)	57/8(149.23)	7(177.80)	21(533.40)	27(685.80)	67/8(174.63)	213/16(71.44)	1(25.40)	23/4(69.85)	2	25.498(647.65)	-	-	-	10(254.00)	3(76.20)	7(177.80)	111/8(282.58)	55/8(142.88)	1/8(3.18)	75/16(185.74)	124D	-	-	-	124D
224D	28(711.2)	263/4(679.45)	5/8-11	6	25.500(647.7)	24(609.6)	71/4(184.15)	7(177.80)	21(533.40)	27(685.80)	81/2(215.90)	41/2(114.30)	1(25.40)	23/4(69.85)	2	25.498(647.65)	-	-	-	10(254.00)	3(76.20)	7(177.80)	111/8(282.58)	55/8(142.88)	1/8(3.18)	75/16(185.74)	224D	-	-	-	224D
324D	28(711.2)	263/4(679.45)	5/8-11	6	25.500(647.7)	24(609.6)	93/8(238.13)	7(177.80)	21(533.40)	27(685.80)	101/2(266.70)	61/4(158.75)	1(25.40)	23/4(69.85)	2	25.498(647.65)	-	-	-	10(254.00)	3(76.20)	7(177.80)	111/8(282.58)	55/8(142.88)	1/8(3.18)	75/16(185.74)	324D	-	-	-	324D
227	31(787.4)	293/4(755.65)	5/8-11	12	28.500(723.9)	27(685.8)	7(177.80)	9(228.60)	21(533.40)	27(685.80)	83/4(222.25)	41/2(114.30)	1(25.40)	23/8(60.33)	3	28.498(723.85)	-	-	-	111/2(292.10)	5(127.00)	8(203.20)	715/16(201.61)	23/8(60.33)	1/8(3.18)	75/16(185.74)	227	-	-	-	227
327	31(787.4)	293/4(755.65)	5/8-11	12	28.500(723.9)	27(685.8)	9(228.60)	9(228.60)	21(533.40)	27(685.80)	103/4(273.05)	61/2(165.10)	1(25.40)	23/8(60.33)	3	28.498(723.85)	-	-	-	111/2(292.10)	5(127.00)	8(203.20)	715/16(201.61)	23/8(60.33)	1/8(3.18)	75/16(185.74)	327	-	-	-	327
230H	34(863.6)	323/4(831.85)																													

Technical Parameter

Model	Torque Rating @100psi (lb-in) / 7bar (Nm)				Maximum Speed rpm	Weight and Inertia				Bore Range	
	Static Torque		Dynamic Torque			Total Weight	Total Inertia	Ring & FD Weight	Ring & FD Inertia	Minimum	Maximum
	lb-in	Nm	lb-in	Nm		lbs (kgs)	lbft ² (wr ²) (kgm ² (J))	lbs (kgs)	lbft ² (wr ²) (kgm ² (J))	inches (mm)	inches (mm)
108	7,300	835	5,500	630	3,600	30(14)	2.4(0.102)	8.3(3.7)	1.2(0.048)	0.94(23.8)	1.94(49.2)
208	14,600	1,670	11,000	1,260	3,600	20(23)	4.3(0.179)	17(7.5)	2.3(0.098)	0.94(23.8)	1.94(49.2)
308	21,900	2,505	16,500	1,890	3,600	67(30)	6.0(0.254)	25(11)	3.5(0.149)	1.13(28.6)	1.94(49.2)
111	16,600	1,905	12,450	1,425	2,650	55(25)	9.2(0.388)	19(9)	5.4(0.227)	1.25(31.8)	3.0(76.2)
211	33,200	3,810	24,900	2,850	2,650	96(44)	16.4(0.690)	37(17)	10.4(0.438)	1.25(31.8)	3.0(76.2)
311	49,800	5,715	37,350	4,275	2,650	132(60)	22.9(0.965)	52(24)	15.3(0.645)	1.25(31.8)	3.0(76.2)
114	29,150	3,345	21,900	2,510	2,180	124(56)	35.2(1.49)	38(17)	17.1(0.721)	2.13(54.0)	3.25(82.6)
214	58,300	6,690	43,800	5,020	2,180	176(80)	47.9(2.02)	57(26)	24.6(1.04)	2.13(54.0)	3.25(82.6)
314	87,450	10,035	65,700	7,530	2,180	239(109)	72.0(3.04)	97(44)	42.3(1.79)	2.13(54.0)	3.25(82.6)
114H	35,400	4,065	26,600	3,050	2,180	161(73)	41.2(1.74)	38(17)	17.1(0.721)	2.13(54.0)	3.25(82.6)
214H	70,800	8,130	53,200	6,100	2,180	212(96)	57.1(2.41)	57(26)	24.6(1.04)	2.13(54.0)	3.25(82.6)
314H	106,200	12,195	79,800	9,150	2,180	290(132)	79.6(3.36)	97(44)	42.3(1.79)	2.13(54.0)	3.25(82.6)
116	39,750	4,560	29,800	3,420	1,900	218(99)	60.6(2.56)	41(19)	23.1(0.973)	2.13(54.0)	3.41(86.6)
216	79,500	9,120	59,600	6,840	1,900	296(134)	87.9(3.71)	79(36)	41.8(1.76)	2.13(54.0)	3.41(86.6)
316	119,250	13,680	89,400	10,260	1,900	380(172)	117(4.93)	116(53)	61.2(2.58)	2.13(54.0)	3.41(86.6)
118	66,400	7,620	49,800	5,715	1,750	277(125)	90(3.78)	44(20)	28.3(1.19)	2.38(60.3)	3.88(98.4)
218	132,800	15,240	99,600	11,430	1,750	397(180)	142(6.00)	95(43)	61.6(2.60)	2.38(60.3)	3.88(98.4)
318	199,200	22,860	149,400	17,145	1,750	501(227)	189(7.97)	144(66)	93.3(3.94)	2.38(60.3)	3.88(98.4)
118H	82,000	9,405	61,500	7,055	1,750	294(134)	100(4.22)	44(20)	28.3(1.19)	2.38(60.3)	3.88(98.4)
218H	164,000	18,810	123,000	14,110	1,750	414(188)	151(6.36)	95(43)	61.6(2.60)	2.38(60.3)	3.88(98.4)
318H	246,000	28,215	184,500	21,165	1,750	525(238)	199(8.40)	144(66)	93.3(3.94)	2.38(60.3)	3.88(98.4)
121	95,400	10,950	71,500	8,205	1,525	390(177)	179(7.57)	63(29)	56.1(2.37)	2.75(69.9)	4.75(120.7)
221	190,800	21,900	143,000	16,410	1,525	566(257)	283(12.0)	138(63)	124(5.22)	2.75(69.9)	4.75(120.7)
321	286,200	32,850	214,500	24,615	1,525	738(335)	381(16.1)	210(95)	186(7.83)	2.75(69.9)	4.75(120.7)
124H	160,600	18,435	120,500	13,830	1,350	593(269)	373(15.7)	115(52)	132(5.55)	2.75(69.9)	4.75(120.7)
224H	321,200	36,870	241,000	27,660	1,350	800(363)	510(21.5)	190(86)	207(8.75)	2.75(69.9)	4.75(120.7)
324H	481,800	55,305	361,500	41,490	1,350	993(450)	622(26.2)	250(113)	259(10.9)	2.75(69.9)	4.75(120.7)
124D	206,950	23,745	155,200	17,810	1,350	613(278)	380(16.1)	115(52)	132(5.55)	2.75(69.9)	4.75(120.7)
224D	413,900	47,490	310,400	35,620	1,350	820(372)	517(21.8)	190(86)	207(8.75)	2.75(69.9)	4.75(120.7)
324D	620,850	71,235	465,600	53,430	1,350	1013(460)	629(26.6)	250(113)	259(10.9)	2.75(69.9)	4.75(120.7)
227	361,100	41,450	270,800	31,080	1,200	926(420)	696(29.4)	190(86)	250(10.6)	3.50(88.9)	7.00(177.8)
327	541,650	62,175	406,200	46,620	1,200	1,243(564)	949(40.1)	302(137)	399(16.8)	3.50(88.9)	7.00(177.8)
230H	690,800	79,260	518,000	59,450	1,100	1,470(667)	1,315(55.5)	292(132)	444(18.7)	3.88(98.5)	7.00(177.8)
330H	1,036,200	118,890	777,000	89,175	1,100	1,868(847)	1,704(71.9)	427(194)	647(27.3)	3.88(98.5)	7.00(177.8)
236	1,063,250	122,000	797,400	91,500	900	2,145(973)	2,955(125)	426(193)	956(40.4)	5.00(127.0)	9.0(228.6)
336	1,594,875	183,000	1,196,100	137,250	900	2,907(1,318)	3,319(140)	644(292)	980(41.4)	5.00(127.0)	9.0(228.6)
242	1,518,200	174,200	1,138,600	130,650	750	3,135(1,422)	5,466(231)	676(307)	2,235(94.3)	7.00(177.8)	11.0(279.4)
342	2,277,300	261,300	1,707,900	195,975	750	4,062(1,843)	7,478(316)	1,053(478)	3,489(147)	7.00(177.8)	11.0(279.4)
248	2,832,000	325,000	2,124,400	243,800	650	4,688(2,127)	10,743(453)	799(362)	3,386(143)	8.00(203.2)	12.0(304.8)
348	4,248,000	487,500	3,186,600	365,700	650	5,801(2,631)	13,501(570)	1,138(516)	4,786(202)	8.00(203.2)	12.0(304.8)
260	5,670,000	650,900	4,252,500	488,100	525	7,450(3,379)	22,752(960)	1,470(667)	8,546(361)	11.00(279.4)	15.0(381.0)
360	8,505,000	976,350	6,378,750	732,150	525	9,431(4,278)	30,978(1,307)	2,242(1,017)	13,028(550)	11.00(279.4)	15.0(381.0)
460	11,340,000	1,301,800	8,505,000	976,200	525	11,656(5,287)	39,545(1,669)	3,060(1,388)	17,868(754)	11.00(279.4)	15.0(381.0)