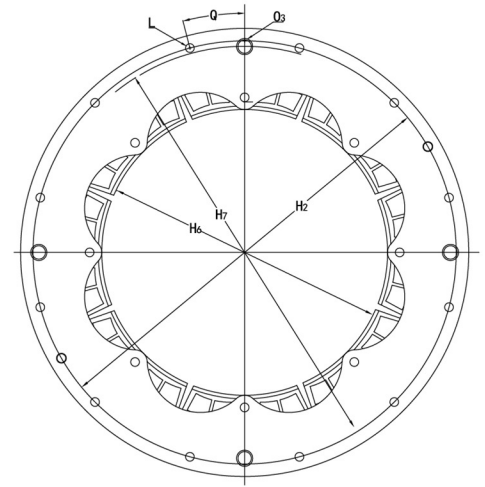
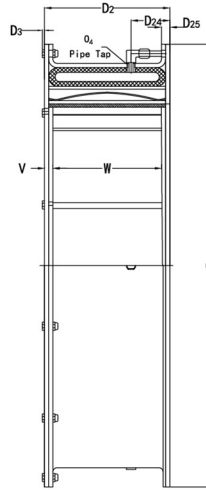
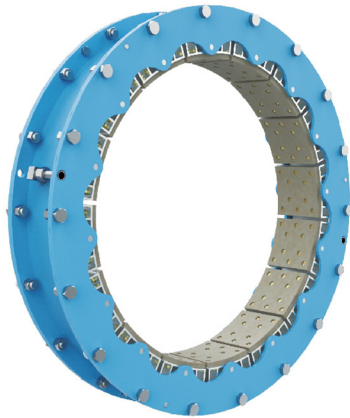


Single Narrow VC Clutch



Dimensions Data

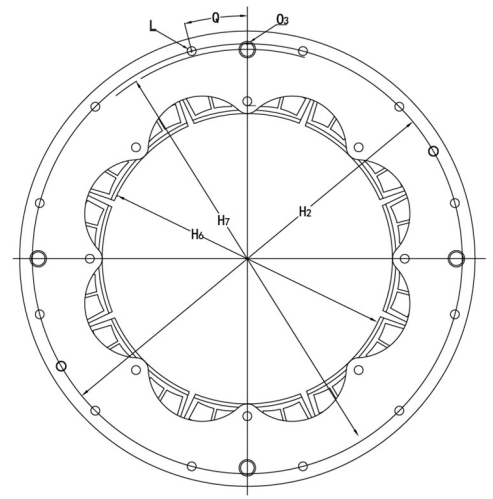
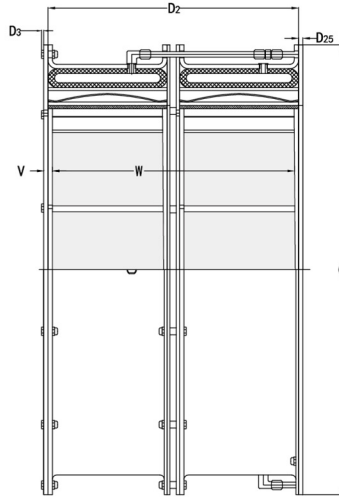
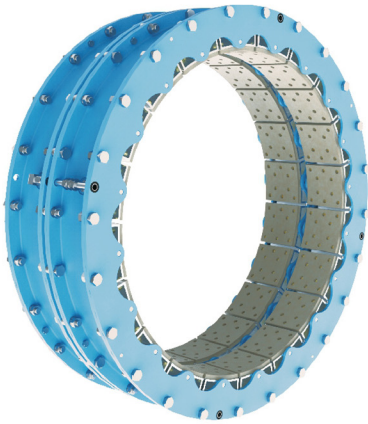
Size	Torque Rating	D ₂	D ₃	D ₂₄	D ₂₅	G	H ₂	H ₆	H ₇	L		O ₃	O ₄		Q (Deg)	V	W	
										No.	Diame ter		No.	Size			No.	Width
11.5VC500	3050	156	6	60	10	498.5	479.4	295	479	16	9.5	8	2	3/8-18NPT	11.25	14	8	127
14VC500	4430	156	8	73	15	596.9	571.5	361	565	8	12.7	10	4	3/8-18NPT	22.50	14	8	127
16VC600	7340	187	8	73	15	647.7	619.1	412	619	12	12.7	10	4	3/8-18NPT	15.00	17	8	152
20VC600	10505	187	8	73	15	749.3	720.7	514	721	12	12.7	10	4	3/8-18NPT	15.00	17	10	152
24VC650	15250	195	10	73	16	863.6	831.9	615	826	16	15.9	13	4	1/2-14NPT	11.25	15	12	165
28VC650	20560	195	10	73	16	965.2	933.5	717	927	16	15.9	13	4	1/2-14NPT	11.25	15	14	165
33VC650	28810	195	12	79	16	1133.5	1095.4	844	1099	18	19.1	16	4	3/4-14NPT	15.00	15	16	165
37VC650	36155	195	12	79	17	1235.1	1197.0	945	1200	20	19.1	16	4	3/4-14NPT	9.00	15	18	165
42VC650	42930	195	12	79	17	1362.1	1324.0	1072	1327	24	19.1	16	4	3/4-14NPT	7.50	15	20	165
SI	N · m	Dimensions in millimeters																
	@ 5.2bar																	

The parameters of 35VC650 is under revision.

Technical Parameter

Size	Torque Rating	Maximum Speed	Centrifugal Loss Constant	Moment of Inertia	Weight	Friction Area	Friction Lining Thickness		Air Tube Cavity	Minimum Drum Diameter
							New	Worn		
11.5VC500	3050	1800	1.59 E-06	1.81	43	1071	8	4	1.15	290
14VC500	4430	1500	1.93 E-06	3.28	58	1322	8	4	1.56	353
16VC600	7340	1400	2.00 E-06	4.83	68	1825	8	4	1.97	404
20VC600	10505	1200	2.76 E-06	8.11	81	2451	8	4	2.3	505
24VC650	15250	1050	3.38 E-06	15.50	111	3006	11	4	3.28	607
28VC650	20560	1000	4.00 E-06	22.55	127	3535	11	4	4.43	706
33VC650	28810	900	5.11 E-06	45.49	178	4147	14	7	5.9	833
37VC650	36155	800	6.21 E-06	58.80	196	4644	14	7	6.56	935
42VC650	42930	800	6.56 E-06	83.58	220	5302	14	7	7.22	1062
SI	N · m	rpm	bar/rpm ²	kg · m ²	kg	cm ²	mm		dm ³	mm
	@ 5.2bar									

Dual Narrow VC Clutch



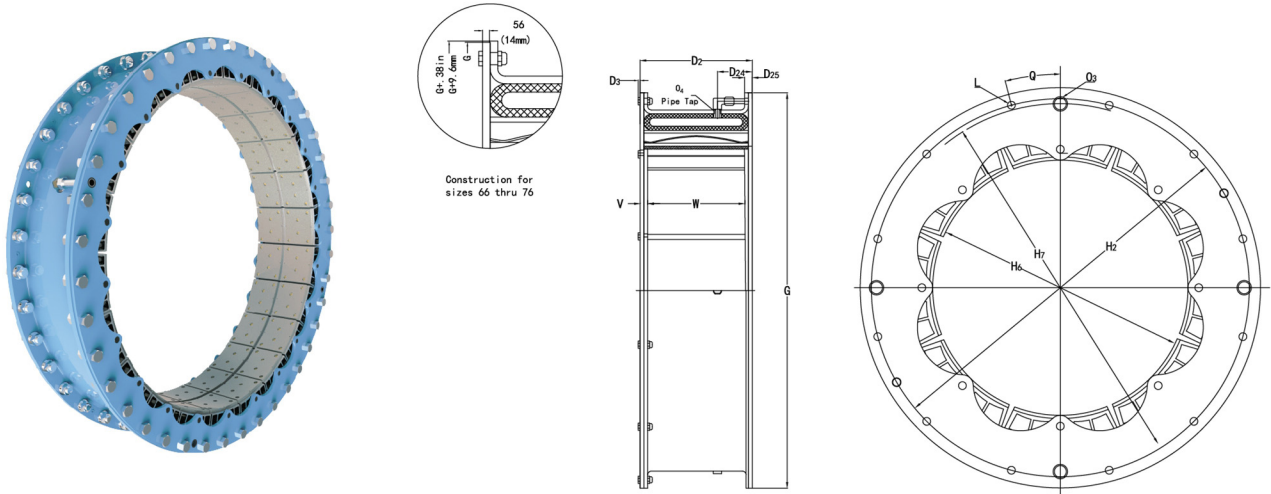
Dimensions Data

Size	Torque Rating	D ₂	D ₃	D ₂₅	G	H ₂	H ₆	H ₇	L		O ₃		Q (Deg)	V	W	
									No.	Diameter	No.	Size			No.	Width
11.5VC500	6100	324	6	14	498.5	479.4	295	479	16	9.5	2	8	11.25	14	16	295
14VC500	8860	322	8	14	596.9	571.5	361	565	8	12.7	4	10	22.50	14	16	294
16VC600	14690	386	8	14	647.7	619.1	412	619	12	12.7	4	10	15.00	17	16	351
20VC600	21010	386	8	14	749.3	720.7	514	721	12	12.7	4	10	15.00	17	20	351
24VC650	30500	405	10	16	863.6	831.9	615	826	16	15.9	4	13	11.25	15	24	375
28VC650	41125	405	10	16	965.2	933.5	717	927	16	15.9	4	13	11.25	15	28	375
33VC650	57620	405	12	18	1133.5	1095.4	844	1099	18	19.1	4	16	15.00	15	32	375
37VC650	72310	405	12	18	1235.1	1197.0	945	1200	20	19.1	4	16	9.00	15	36	375
42VC650	85870	405	12	18	1362.1	1324.0	1072	1327	24	19.1	4	16	7.50	15	40	375
SI	N · m	Dimensions in millimeters														
	@ 5.2bar															
The parameters of 35VC650 is under revision.																

Technical Parameter

Size	Torque Rating	Maximum Speed	Centrifugal Loss Constant	Moment of Inertia	Weight	Friction Area	Friction Lining Thickness		Air Tube Cavity	Minimum Drum Diameter
							New	Worn		
11.5VC500	6100	1800	1.59 E-06	3.61	89	2141	8	4	2.30	290
14VC500	8860	1500	1.93 E-06	6.55	117	2645	8	4	3.12	353
16VC600	14690	1400	2.00 E-06	9.66	139	3651	8	4	3.94	404
20VC600	21010	1200	2.76 E-06	16.21	164	4902	8	4	4.59	505
24VC650	30500	1050	3.38 E-06	31.00	225	6011	11	4	6.56	607
28VC650	41125	1000	4.00 E-06	45.11	256	7069	11	4	8.86	706
33VC650	57620	900	5.11 E-06	90.97	355	8295	14	7	11.80	833
37VC650	72310	800	6.21 E-06	117.60	395	9288	14	7	13.10	935
42VC650	85870	800	6.56 E-06	167.20	444	10604	14	7	14.40	1062
SI	N · m	rpm	bar/rpm ²	kg · m ²	kg	cm ²	mm		dm ³	mm
	@ 5.2bar									

Single Wide VC Clutch



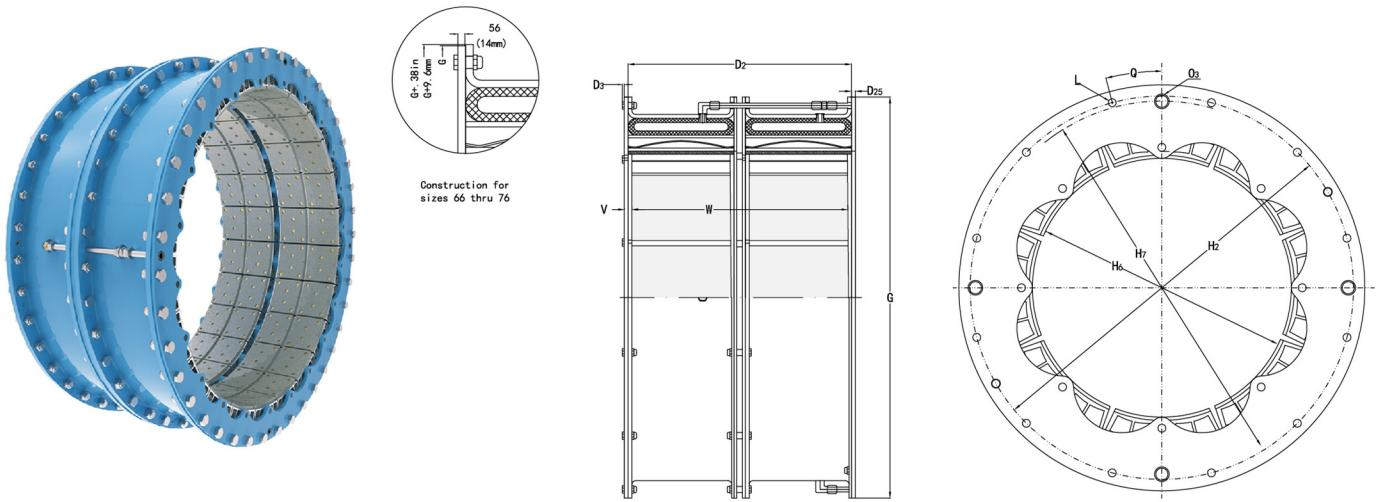
Dimensions Data

Size	Torque Rating	D ₂	D ₃	D ₂₄	D ₂₅	G	H ₂	H ₆	H ₇	L		O ₃	O ₄		Q (Deg)	V	W	
										No.	Diameter		No.	Size			No.	Width
14VC1000	9605	294	8	73	16	596.9	571.5	361	565	8	12.7	10	4	3/8-18NPT	22.50	20	8	254
16VC1000	12880	294	8	73	16	647.7	619.1	412	619	12	12.7	10	4	3/8-18NPT	15.00	20	8	254
20VC1000	18190	294	8	73	16	749.3	720.7	514	721	12	12.7	10	4	3/8-18NPT	15.00	20	8	254
24VC1000	24745	294	10	73	16	853.6	831.9	615	826	16	15.9	13	4	1/2-14NPT	11.25	20	10	254
28VC1000	33445	294	10	73	16	965.2	933.5	717	927	16	15.9	13	4	1/2-14NPT	11.25	20	10	254
32VC1000	46890	295	10	73	16	1114.4	1082.7	818	1070	24	15.9	13	4	1/2-14NPT	7.50	21	12	254
38VC1200	76830	349	12	79	18	1254.1	1216.0	971	1219	20	19.1	16	4	3/4-14NPT	9.00	22	12	305
42VC1200	92535	349	12	79	17	1362.1	1324.0	1072	1327	24	19.1	16	4	3/4-14NPT	7.50	22	14	305
46VC1200	107335	349	14	124	20	1530.4	1485.9	1175	1461	24	22.2	16	4	3/4-14NPT	7.50	22	16	305
52VC1200	137275	362	14	181	29	1701.8	1663.7	1327	1651	32	22.2	22	4	1-11 1/2NPT	5.63	29	18	305
51VC1600	181905	464	14	232	29	1701.8	1663.7	1302	1651	32	22.2	22	4	1-11 1/2NPT	5.63	29	18	406
60VC1600	246645	470	15	235	35	1955.8	1905.0	1535	1886	36	25.4	22	4	1-11 1/2NPT	5.00	32	20	406
66VC1600	316355	470	20	235	35	2085.9	2022.5	1682	1991	40	33.3	22	4	1-11 1/2NPT	5.00	32	22	406
SI	N · m	Dimensions in millimeters																
	@5.2bar	The parameters of 12VC1000 is under revision.																

Technical Parameter

Size	Torque Rating	Maximum Speed	Centrifugal Loss Constant	Moment of Inertia	Weight	Friction Area	Friction Lining Thickness		Air Tube Cavity	Minimum Drum Diameter
							New	Worn		
14VC1000	9605	1800	1.52 E-06	5.33	96	2258	8	4	3.03	353
16VC1000	12880	1400	1.86 E-06	8.90	109	3032	8	4	4.18	404
20VC1000	18190	1300	2.55 E-06	12.98	128	4096	8	4	5.08	505
24VC1000	24745	1250	3.17 E-06	23.18	171	4644	11	4	7.63	606
28VC1000	33445	1100	3.80 E-06	34.69	195	5418	11	4	8.69	706
32VC1000	46890	1050	4.35 E-06	65.94	283	6192	14	10	9.84	808
38VC1200	76830	740	5.66 E-06	97.86	310	8772	14	10	12.4	960
42VC1200	92535	670	5.93 E-06	154.10	405	9675	14	10	13.9	1060
46VC1200	107335	600	7.45 E-06	202.90	444	9097	17	10	19.8	1162
52VC1200	137275	550	8.76 E-06	306.00	594	10256	17	10	24.8	1314
51VC1600	181905	550	8.63 E-06	444.40	830	15351	17	8	32.8	1289
60VC1600	246645	520	10.01 E-06	852.30	1077	18060	17	8	38.5	1518
66VC1600	316355	480	12.83 E-06	1044.00	1191	19866	17	8	32.1	1670
SI	N · m	rpm	bar/rpm ²	kg.m ²	kg	cm ²	mm		dm ³	mm
	@5.2bar									

Dual Wide VC Clutch



Dimensions Data

Size	Torque Rating	D ₂	D ₃	D ₂₅	G	H ₂	H ₆	H ₇	L		O ₃		Q (Deg)	V	W	
									No.	Diameter	No.	Size			No.	Width
16VC1000	25760	602	8	16	647.7	619.1	412	619	12	12.7	4	10	15.00	20	16	562
20VC1000	36380	602	8	16	749.3	720.7	514	721	12	12.7	4	10	15.00	20	16	562
24VC1000	49490	602	10	16	863.6	831.9	615	826	16	15.9	4	13	11.25	20	20	562
28VC1000	66890	602	10	16	965.2	933.5	717	927	16	15.9	4	13	11.25	20	20	562
32VC1000	93780	605	10	16	1114.4	1082.7	818	1070	24	15.9	4	13	7.50	21	24	589
38VC1200	153660	713	12	17	1254.1	1216.0	971	1219	20	19.1	4	16	9.00	22	24	668
42VC1200	185070	713	12	17	1362.1	1324.0	1072	1327	24	19.1	4	16	7.50	22	28	668
46VC1200	214670	713	14	19	1530.4	1485.9	1175	1461	24	22.2	4	16	7.50	22	32	668
52VC1200	274550	738	14	29	1701.8	1663.7	1327	1651	32	22.2	4	22	5.63	29	36	681
51VC1600	363810	941	14	29	1701.8	1663.7	1302	1651	32	22.2	4	22	5.63	29	36	884
60VC1600	493290	954	15	35	1955.8	1905.0	1535	1886	36	25.4	4	22	5.00	32	40	891
66VC1600	632710	940	20	35	2085.9	2022.5	1682	1991	40	33.3	4	22	4.50	32	44	876
76VC1600	827050	940	22	35	2339.9	2276.5	1948	2245	48	33.3	4	22	3.75	32	50	876
76VC2000	1050760	1143	22	35	2339.9	2276.5	1948	2245	48	33.3	4	22	3.75	32	50	1081
SI	N · m @ 5.2bar	Dimensions in millimeters														

Technical Parameter

Size	Torque Rating	Maximum Speed	Centrifugal Loss Constant	Moment of Inertia	Weight	Friction Area	Friction Lining Thickness		Air Tube Cavity	Minimum Drum Diameter
							New	Worn		
16VC1000	25760	1400	1.86 E-06	15.96	195	6063	8	4	8.36	404
20VC1000	36380	1300	2.55 E-06	25.96	257	8192	8	4	10.2	505
24VC1000	49490	1250	3.17 E-06	46.37	342	9288	11	4	15.3	606
28VC1000	66890	1100	3.8 E-06	69.38	390	10836	11	4	17.4	706
32VC1000	93780	1050	4.35 E-06	131.9	565	12384	14	10	19.7	808
38VC1200	153660	740	5.66 E-06	195.7	620	17544	14	10	24.8	960
42VC1200	185070	670	5.93 E-06	308.3	811	19350	14	10	27.9	1060
46VC1200	214670	600	7.45 E-06	405.7	888	20516	17	10	39.5	1162
52VC1200	274550	550	8.76 E-06	611.9	1080	23097	17	10	49.5	1314
51VC1600	363810	550	8.63 E-06	888.7	1752	30702	17	8	65.6	1289
60VC1600	493290	520	10.01 E-06	1725	2220	36120	17	8	77.1	1518
66VC1600	632710	480	12.83 E-06	2087	2383	39732	17	8	64.3	1670
76VC1600	827050	416	16.66 E-06	3074	2705	45150	17	8	79.0	1924
76VC2000	1050760	275	10.06 E-06	3461	3038	54128	17	8	81.7	1924
SI	N · m @ 5.2bar	rpm	bar/rpm ²	kg · m ²	kg	cm ²	mm		dm ³	mm